

**AXOR Carlton**  
**Single lever bath mixer for concealed installation**  
 Surfaces: **Chrome/Gold Optic** Article Number: **17415090**



## Description

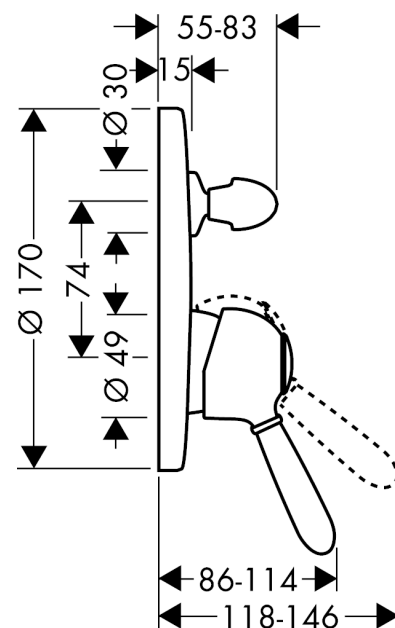
### product features

- connection type: basic set
- ceramic cartridge
- min. operating pressure: 1 bar
- max. operating pressure: 10 bar
- temperature limitation adjustable
- with automatic resetting
- with silencer
- suitable for continous flow water heaters
- PA-IX 9709/ICC
- DVGW NW-6506CQ0125
- ETA VA 1.42/18751
- ACS 19 ACC NY 249, valide jusqu'au 01.08.2024
- WRAS 1903005
- JWWA E-382
- Kiwa K6161\_Mechanical Mixers EN817
- SVGW 0411-4903
- SINTEF 1426

## Product image



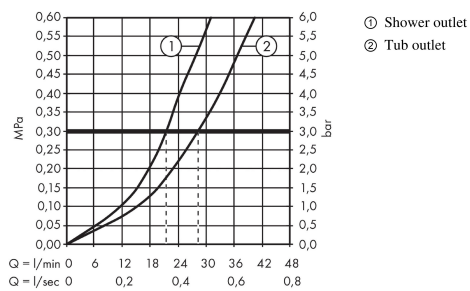
## Scale drawing



**AXOR Carlton**  
**Single lever bath mixer for concealed installation**  
Surfaces: **Chrome/Gold Optic** Article Number: **17415090**



## Flowchart

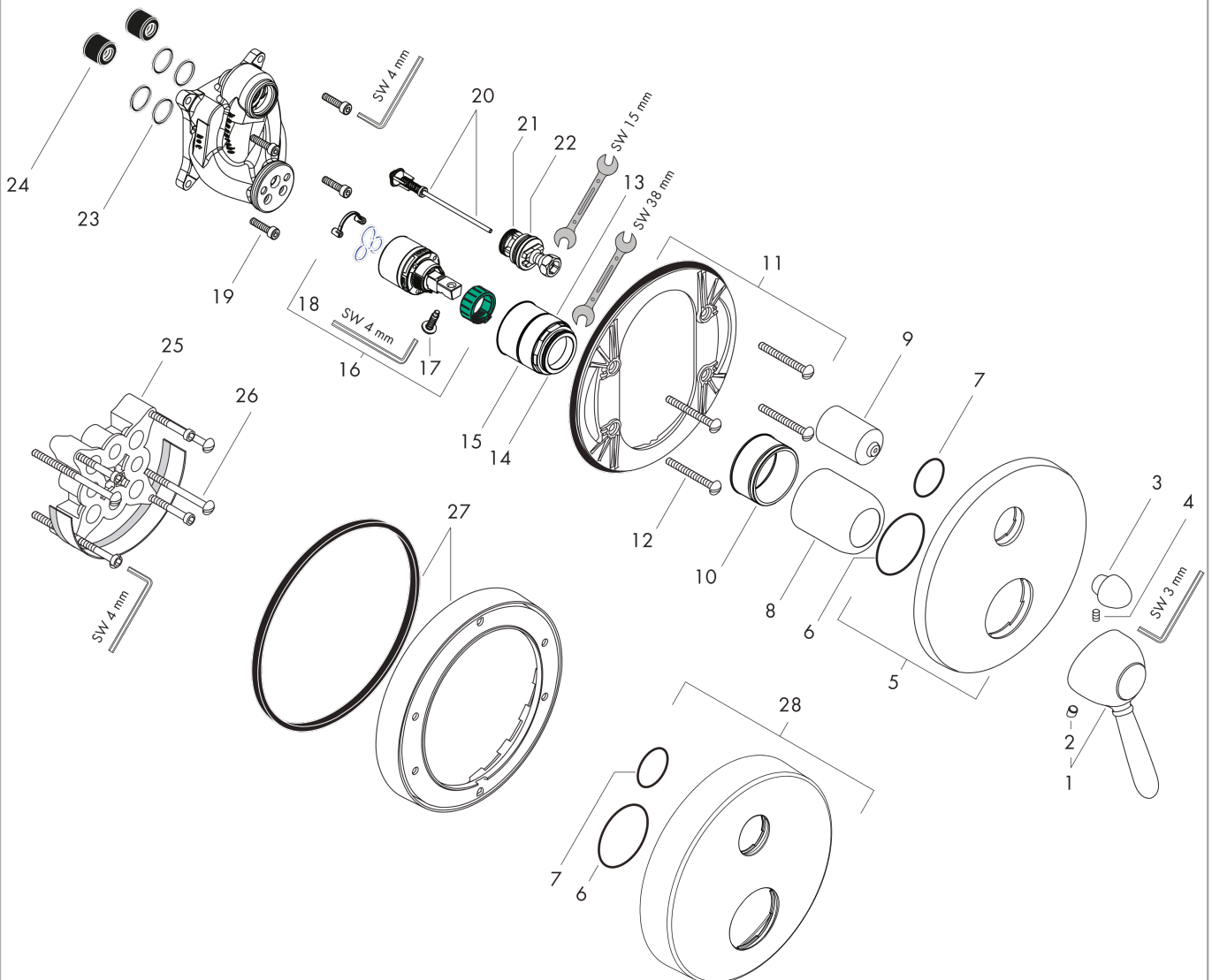


**AXOR Carlton**  
**Single lever bath mixer for concealed installation**  
Surfaces: **Chrome/Gold Optic** Article Number: **17415090**



## Exploded Drawing

Year of production: >01/17



**AXOR Carlton**  
**Single lever bath mixer for concealed installation**  
 Surfaces: **Chrome/Gold Optic** Article Number: **17415090**



## Spare part list

Year of production: >01/17

Pos.	Description	Article Number	PC	PU
1	handle	17092090	16	1
2	screw cover	96338000	1	1
3	diverter knob cpl.	95013000	5	1
4	hollow set screw M4x10	97667000	1	1
5	escutcheon Ø 170 mm	96453000	11	1
6	O-Ring 48x3	95508000	1	1
7	O-ring 29x3	98371000	2	1
8	flange	95010000	8	1
9	sleeve	96448000	9	1
10	O-ring 43x1,5	98148000	1	1
11	sub plate	96447000	10	1
12	set of fixing screws	96454000	3	1
13	nut	98796000	9	1
14	O-ring 30x1,5	98433000	1	1
15	O-ring 39x1,5	98400000	1	1
16	cartridge, assy	92730000	11	1
17	locking screw for handle	95140000	2	1
18	seal	95008000	3	1
19	set of screws	96525000	3	1
20	selector assy	95014000	11	1
21	O-ring 16x2,3	98207000	1	1
22	O-ring 20x2,5	92602000	2	1
23	O-ring 16x2	98133000	1	1
24	noise reduction	94073000	7	1
25	extension 25 mm	13595000	98	1
26	set of fixing screws	97747000	1	1
27	extension 22 mm (Ø 170 mm)	13596000	98	1
28	escutcheon height = 33 mm (when wall is not deep enough).	14961000	98	1
a	concealed item	01800180	98	1
b	spring for exchanged connections	96365000	9	1